



MSV LASER NL-01

Data sheet



Industry 4.0
Ready

Product Overview

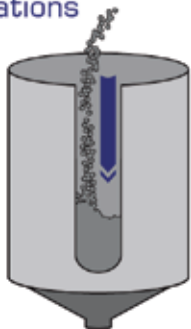
The MSV Laser NL-01 is a non-contact laser sensor used to measure the distance to solid surfaces, slurries or murky water. Solid surfaces can be anything from a flat material store in a silo. With an easy to use menu system, the InoxLaser can be configured for either distance or level measurement and the high accuracy, long range and fast update rate make this the ideal sensor for many different applications

Features:

- SigFox Ready for wireless communication
- Non Contact Measurement with laser technology
- 303 Stainless steel housing
- Measurement range up to 50 meters (164 feet)
- Continuous Measurement with a resolution of 10mm
- NAMUR compliant 4...20mA output



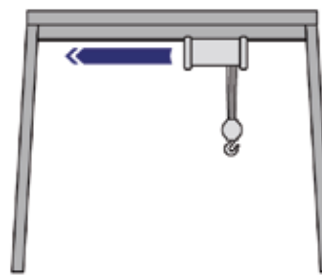
Applications



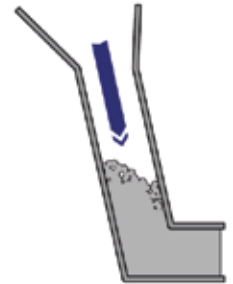
Level control



Distance measurement



Positioning



Blockage detection

Performance Data

Sensing range	0.3 _ 50 m (0.98° _ 164°)
Resolution	10 mm (0.39°)
Accuracy	< 0.1° % of full range at 20°C
Update Rate	5 readings per second

Technical Data

Power Supply	24 V dc nominal (12 ... 28 V dc)
Current Consumption	100 mA nominal

Output

Analog	4 -20mA NAMUR compliant self powered & non isolated. 2 x relays (N/O), 42 V dc at 1.3 A
Communication	USB at 115200 Baud 8-N-1

Mechanical Data

Diameter	MSV NL-01 : 63.5 mm (2.36")		MSV NL-01/DT : 140mm (5.51")
Length	MSV NL-01 : 144 mm (5.51")		MSV NL-01/DT : 110mm (4.33")
Weight	MSV NL-01 : 1.25 kg (2.76 lb)		MSV NL-01/DT : 0.83 kg(1.83 lb")
Connection	Flange accessory (NL-01/DT) with 4 o 8.5 cm holes on 120 PCD		
Housing Material	303 Stainless Steel		

Optical Data

Optical Aperture	60 mm (2.36")
Beam Divergence	< 1° to half power points
Lens Material	Impact Resistant Acrylic
Laser Safety Classification	Class 1M CAUTION : Do NOT view laser directly without optical instruments

Environmental Data

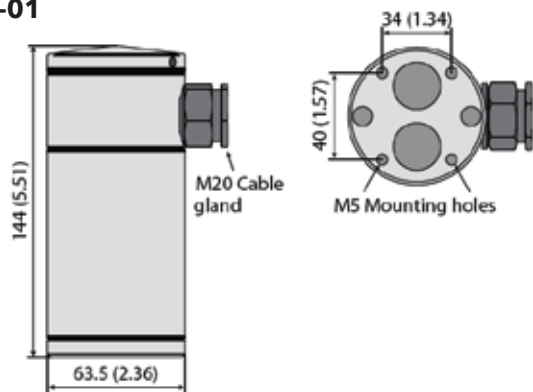
Operating Temperature	-20°C ... +60°
Pressure	Atmospheric
Enclosure Rating	IP66

Software Menus

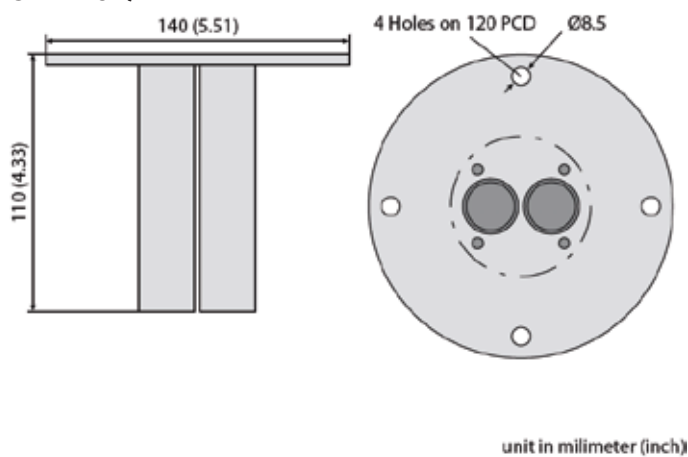
- 1) Open MSV Terminal Software and Connect
- 2) Press the <SPACE> keyboard key to access the settings menu
- 3) Press the keyboard key to select the required menu item
- 4) To restart measurements, press the <SPACE> keyboard key

Dimension drawings

MSV NL-01

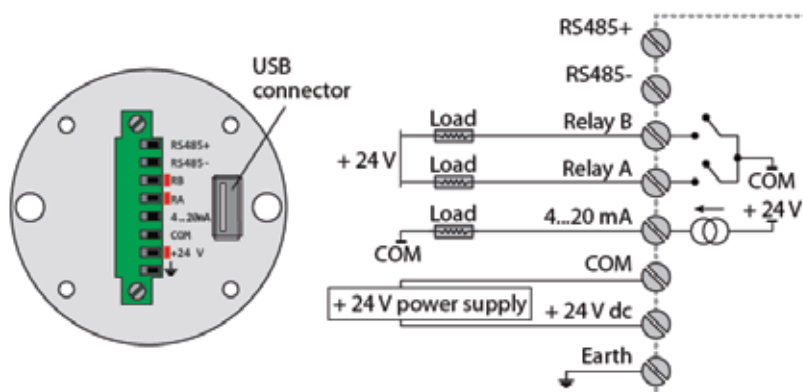


MSV NL-01/DT



Menu	Selection	Default value
<A> 4 ... 20 mA settings	 4 mA	25.00 m
	<C> 20 mA	0.60 m
	<D> Fail safe current	> 21.0 mA
	<E> Test	21.50 mA
<F> Relay settings	<G> Relay A switch point 1	1.00 m
	<H> Relay A switch point 2	2.00 m
	<I> Relay A mode	near => closed far => open
	<J> Relay B switch point 1	1.00 m
	<K> Relay B switch point 2	2.00 m
	<L> Relay B mode	near => closed far => open
<N> System settings	<M> Relay test	A:closed B:closed
	<O> Measuring units	meters
	<P> Zero distance offset	0.00 m
	<Q> Lost signal timeout	4.0 sec
	<R> Smoothing filter	ON
	<S> Filling rate filter	OFF
	<U> Moving obstacle filter	ON
	<V> Obstacle filter size	16 results

Connections



Product Order Codes

Non Contact Level Measurement MSV NL-01
 Dust Tube Accessory MSV NL-01 / DT
 Swivel Mounting Bracket MSV NL-01 / SB

Device Features

- Simplistic structure with minimal moving parts, guarantee a longer operation life.
- 1 Year Warranty included
- Rapid response, reliable in automation environment for monitoring and control.
- Built in memory that can securely store operational data and parameters.
- Industry 4.0 Ready – wireless measurement through the Sigfox LPWAN into the * **Hive IoT** backend for analysis.
- Programming Language : English



What is Industry 4.0?

Industry 4.0 is a name for the current trend of automation and data exchange in manufacturing technologies. It includes cyber-physical systems, the Internet of things, cloud computing and cognitive computing.

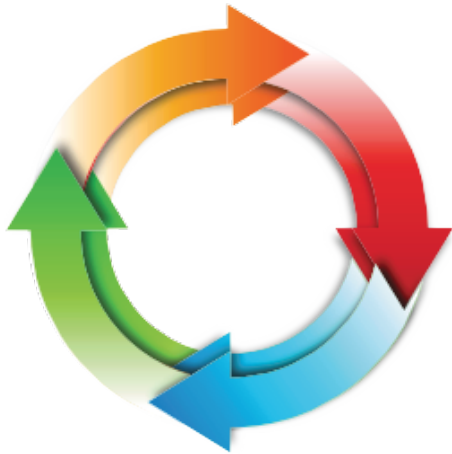


SigFox LPWAN

SigFox is a Low Power Wide Area Network designed to host millions of devices across the globe. Each Flow Meter is equipped with a SigFox ready microchip. The chip connects securely with the SigFox network through an encryption process to store data to the cloud for analysis

*Each device includes 3 year SigFox subscription

Distributed by:



AM INDUSTRIAL SUPPLIERS

Sales:

Veni Reddy
Sales Director

AM Industrial Suppliers PTY (LTD)

011 914 1115
Veni@amindustrial.co.za
www.amindustrial.co.za

Address:

Unit 91M, Van Dyk Business Park,
Cnr Van Dyk Road, Boksburg, 1478

PO Box 8828, Cinda Park, 1459

**IoT back end technology
provided by:**



www.hive-iot.com

